



ZIE-40-2500



ZIE-44-2800



Garden shredder

ZIE-40-2500

ZIE-44-2800

Dear customer!

When purchasing a product:

- ▶ Require verification of its serviceability by trial activation, as well as completeness of its parts according to the delivery set;
- ▶ Make sure that the warranty card is properly issued and contains the product's serial number, date of sale, store stamp, and seller's signature.

Before you turn on the product for the first time, carefully read this instruction manual and strictly follow its requirements. This is the only way you can learn how to handle the product correctly and avoid mistakes and dangerous situations. Keep this manual for the entire service life of your product.

Remember! The product is a source of increased traumatic danger.

⚠ ATTENTION

CONTINUE READING THE MANUAL AND DO NOT START WORKING WITH THE PRODUCT UNTIL YOU HAVE READ THESE WARNINGS

It is forbidden to use the product for grinding metal, plastic and other waste from artificial materials.

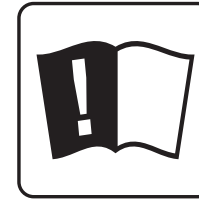
Make sure that the product's air vents are free of dust and dirt. Clogged air vents can cause product overheating and damage to the engine.

The use of the product in industrial volumes, in conditions of high intensity of work and super-heavy loads reduces the service life of the product.

POSSIBLE MALFUNCTIONS AND TROUBLESHOOTING

Malfunction	Possible reason	Troubleshooting
The product does not turn on	No mains voltage	Check the mains voltage
	Thermal fuse was activated	Wait for cooling and turn on the product according to the order of operation
	The lock was triggered when the container was unfixed or the lid 12 was removed	Install the container to the end and lock the handle 11
	Faulty switch, motor or electronic component	Contact the service center for repair or replacement
	Jamming of the sprocket or mechanism	Release the sprocket or contact a service center for repair
The product does not develop full speed or does not work at full capacity	Low mains voltage	Check the mains voltage
	Grass sticking to the sprocket or outlet	Clean the sprocket or outlet according to the order of operation
	Burned or broken winding in the motor	Contact the service center for repair
	Faulty switch or electronic component	Contact the service center for repair or replacement
	Jamming of the sprocket or mechanism	Release the sprocket or contact a service center for repair
The product stopped during operation	Voltage lost	Check the mains voltage
	Thermal fuse was activated	Wait for cooling and turn on the product according to the order of operation
	The lock was triggered when the container was unfixed or the lid 12 was removed	Install the container to the end and lock the handle 11
	Jamming of the sprocket or mechanism	Release the sprocket or contact a service center for repair
	Faulty switch, motor or electronic component	Contact the service center for repair or replacement
The quality of processing is unsatisfactory	Sprocket become dull	Contact the service center for replacement
	Too hard material (solid or dried wood) or large diameter of recyclable waste	Divide the recyclable waste into thinner parts
	Inappropriate clearance between the sprocket and the plate	Set the required gap
The product overheats	Intensive operation, large waste feed force, solid or thick branch	Change the operating mode, reduce the feed force, and divide the recyclable waste into thinner parts
	High ambient temperature, poor ventilation, clogged ventilation holes	Take measures to reduce the temperature, improve ventilation, clean the air vents
	Lack of lubrication, jamming in the mechanism	Contact the service center for repair
	Burned or broken winding	Contact the service center for repair

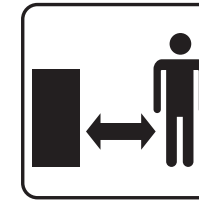
Security measures



Before using the product, read the instruction manual. Failure to do so increases the risk of injury to you and others.



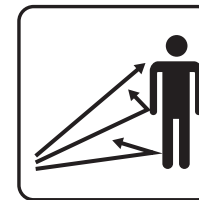
Always use personal protective equipment (mask, ear protection, respirator), especially when working with dusty materials.



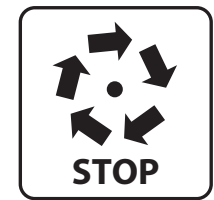
Other people must be kept at a safe distance from the product.



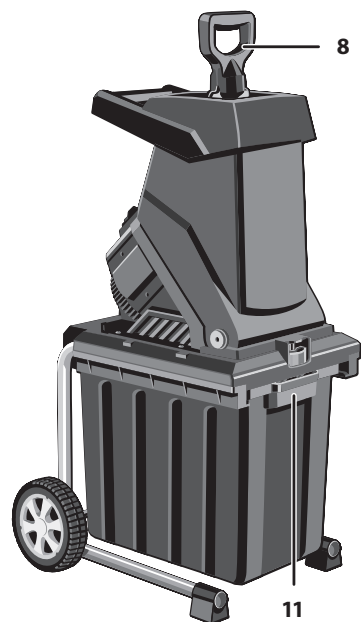
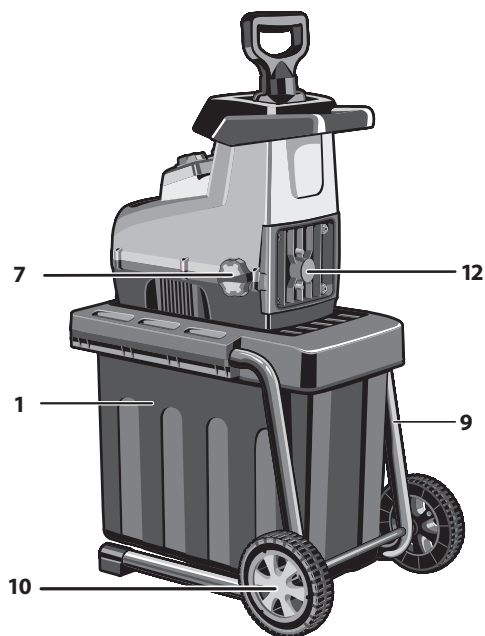
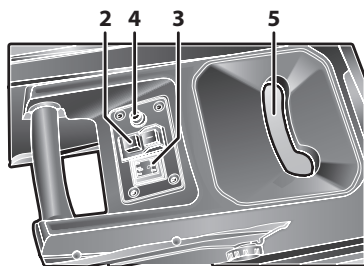
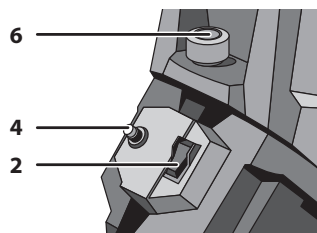
Do not insert your hands and feet into the hole while the product is working.



Make sure that the objects thrown by the working product do not injure people in the vicinity.



Do not touch the moving parts of the product until they stop completely.

**ZIE-40-2500****ZIE-44-2800**

List of components

- | | |
|---|---|
| 1. Container | 7. Waste processing degree regulator (only for ZIE-44-2800) |
| 2. Power switch | 8. Pusher |
| 3. Rotation direction switch (only for ZIE-44-2800) | 9. Frame |
| 4. Thermal fuse activation button | 10. Wheel |
| 5. Feed inlet | 11. Container lock |
| 6. Screw | 12. Back cover |

5) Troubleshooting, recognized by us as a warranty case, is carried out at the choice of the ZUBR company by repairing or replacing the faulty tool with a new one (possibly the next generation model). Replaced tools and parts become the property of the company.

6) Warranty claims are accepted within the warranty period. To do this, present or send the faulty tool to the service center specified in documentation (see the current list of service centers on the website zubr.ru), attaching a completed warranty card confirming the date of purchase of the product and its name. A tool delivered to the dealer or service center in a partially or completely disassembled form is not covered by the warranty. The owner of the instrument bears all risks of transferring and forwarding the instrument to the dealer or service center.

7) Claims, other than the mentioned right to free repair of defects in the tool, are not covered by our warranty.

8) After the warranty repair under the extended warranty, the extended warranty period of the tool is not extended or renewed.

9) Regular maintenance is required for all power tools. The frequency of maintenance is equal to the service life of a set of carbon brushes.

10) The service life of the product is 5 years.

After turning off the product, due to inertia, the sprocket may continue to rotate for some time. To avoid injury and damage **DO NOT TOUCH** it until it stops completely.

If you find something abnormal in the operation of the product, stop using it immediately.

Transportation, storage and disposal conditions

Store cleaned in a dry, ventilated area, away from heat sources. Prevent the ingress of moisture and exposure to direct sunlight.

Transport in the manufacturer's packaging.

The product, accessories and packaging should be disposed of in an environmentally friendly manner.

Basic warranty

The warranty period is 6 months from the date of sale.

Warranty obligations

We constantly care about improving the quality of service to our customers, so if you have any complaints about the quality and timing of warranty repairs, please report it to the ZUBR support service by e-mail zubr@zubr.ru. This warranty does not limit the buyer's right to claims arising from the contract of sale, and does not limit the legal rights of consumers.

We provide a guarantee for ZUBR tools under the following conditions:

1) The Warranty is provided in accordance with the following conditions by free troubleshooting of the tool during the established warranty period, which is proved to be caused by defects in material or workmanship.

2) The Warranty period begins from the date of purchase of the instrument by the first owner.

3) The warranty Period and conditions depend on the series and article of the instrument, please read the warranty terms carefully at the time of purchase.

4) the Warranty does not apply to:

a) Parts subject to working and other types of natural wear, as well as tool failures caused by these types of wear. And also on the tool having full development of a resource, strong external or internal pollution.

b) malfunctions of the tool caused by non-compliance with the operating Instructions or occurred as a result of the use of the tool for other purposes, during use in environmental conditions beyond those specified in the operating Instructions, improper production conditions, due to overload or insufficient, improper maintenance or care. The unconditional signs of overload of the product include, among others: the appearance of colors of fatigue, simultaneous failure of the rotor and stator, deformation or melting of parts and components of the product, darkening or charring of the motor wires under the influence of high temperature.

c) When using the product in conditions of high intensity of work and superheavy loads.

d) on preventive and maintenance of the tool, for example: lubrication, washing.

e) tool Malfunctions due to the use of accessories, accessories and spare parts that are not original accessories/parts of ZUBR company.

e) mechanical damage (cracks, chips, etc.) and damage caused by aggressive media, high humidity and high temperatures, ingress of foreign objects into the vents of the tool, as well as damage caused by improper storage and corrosion of metal parts.

g) Accessories, wear parts and consumables that have failed due to normal wear, such as: drive belts, battery packs, barrels, guide rollers, protective covers, collars, cartridges, soles, saw chains, saw tires, sprockets, tires, carbon brushes, knives, saws, abrasives, drills, drills, fishing line for the trimmer, etc.

h) A tool in the design of which changes or additions have been made.

l) a Slight deviation from the declared properties of the tool, which does not affect its value and the possibility of using it for its intended purpose.

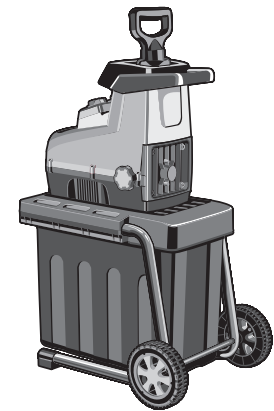
j) Warranty does not cover a tool that was opened or repaired during the warranty period outside of authorized service centers. For a full up-to-date list of authorized service centers, see the website zubr.ru.

Product models

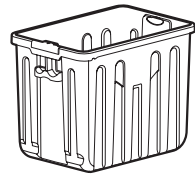

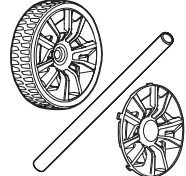
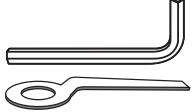
ZIE-40-2500



ZIE-44-2800



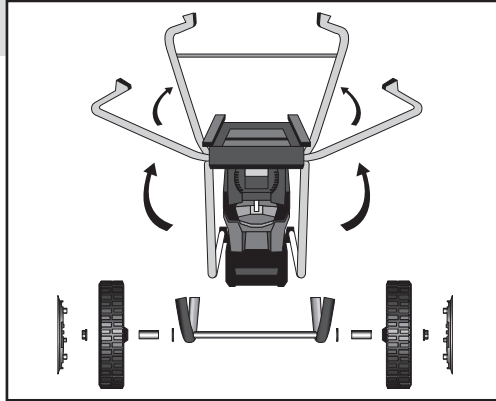
Package bundle

			
Container	Pusher	Wheels with fasteners	Wrenches

Instruction manual

Assembly

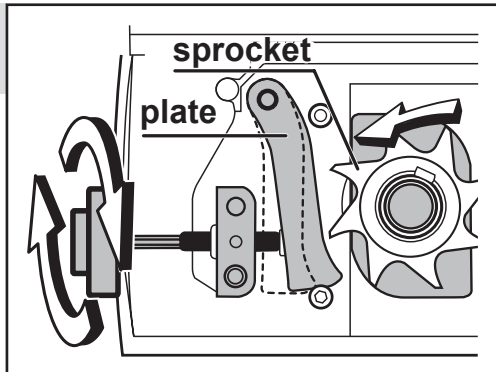
1. Frame assembly



Preparation for work

2. Setting degree of waste processing

For ZIE-44-2800



Safety instructions

Keep an eye on the filling capacity of the waste container. Do not allow it to overflow or fill up to the height of the product outlet.

When processing wet waste (grass, wet leaves), make sure that the outlet is clean – stuck grass can prevent the output of the processed mass and lead to jamming of the shaft.

Do not use excessive force when feeding waste (especially thick branches made of solid wood) into machine. This will not speed up the workflow, but will increase the load on all components of the product and reduce its service life.

Regularly check the condition of the cutting elements. Replace them with new ones if they wear out too much. Contact your service center for replacement.

If the shaft is blocked, turn off the product immediately.

To avoid overheating, take breaks in the operation of the product, sufficient for its cooling.

Unplug the product immediately after you finish using it.

Turn off the product only with the switch. Do not turn off by simply unplugging the cable from the mains (removing the plug from the socket).

Periodically clean the product casing, cable and air vents from dirt and dust.

All maintenance work must be carried out with the cable disconnected from the mains.

The product does not require any other special maintenance.

All repairs should be carried out only by specialists of service centers. Make sure that the product is in good condition.

In case of suspicious odors, smoke, fire, sparks, you should turn off the product, disconnect it from the network and contact a specialized service center.

If You find something abnormal in the operation of the product, stop using it immediately.

Due to the technical complexity of the product, the criteria for limit states cannot be determined by the user on their own. In the case of an apparent or suspected malfunction, refer to the section "Possible malfunctions and Troubleshooting methods". If the problem is not listed or you are unable to fix it, contact a specialized service center. The service center issues an opinion on the limit condition of the product or its parts in the form of a corresponding act.

Turn off and unplug the product before any assembly or configuration.

Do not allow unauthorized persons or children to be in the work area.

To avoid accidents, each time you connect the product to the network, make sure that:

- the power switch in the off position;
- all wrenches and other foreign objects are removed from the rotating parts of the product;
- there are no non-recyclable inclusions (nails, stones, etc.) in the prepared waste.

The product is intended for use **ONLY** with a cutting tool installed.

DO NOT INSTALL other cutting disks (diamond, abrasive, etc.) on the product. **DO NOT USE** a cutting tool that does not meet the specifications of this product (in particular, in speed, in outer or landing diameter).

To avoid injury, never place your hands in the loading hole when operating the product.

DO NOT PUSH the loaded waste with your hands. The product tightens the waste itself.

IN NO CASE do not attempt to clean the loading or outlet holes, as well as the cutting tool, without turning off the product, unplugging it from the mains and waiting for the shaft to stop completely.

During operation, the cutting tool heats up. Do not touch it immediately after finishing work and until it is completely cold.

The product is equipped with a thermal switch: if the product is overloaded or overheated, the engine will be automatically turned off. To resume power supply, allow the engine to cool down for 3-5 minutes and restore the fuse by pressing button 4.

Note! The product's switch 2 is electromagnetic type. If the voltage is stops and then resumes (including when the protection is triggered), the product will not turn on by itself. To turn on the product in this case, press the "1" button of the switch 2 again.

When processing soft wet waste (grass, etc.), it may stick to the cutting elements and reduce the cutting ability of the product.

To clean the product:

- turn off the product by pressing the "0" key on switch 2. Disconnect the product from the mains;

Only for ZIE-44-2800:

- remove the cover 12;

Only for ZIE-40-2500:

- unscrew the screw 6 and lift the cover 12;
- be careful not to cut yourself when cleaning the cutting elements of any stuck waste.

⚠ ATTENTION

To avoid personal injury and damage ALWAYS put on protection gloves before start cleaning. We also strongly recommend using a suitable stick or branch when cleaning.

Assemble the product in reverse order.

Note! For your safety, the product is equipped with an activation lock when open access to the blades and (only for ZIE-44-2800) unfixed container. In turn, the container will not lock until it is installed correctly.

When finished, turn off the product by pressing the "0" key on switch 2. Disconnect the product from the mains.

⚠ ATTENTION

Do not turn off the product before it completely recycles the loaded waste. Waste stuck in the cutting elements can block shredder the next time you turn on the product.

When cleaning, thoroughly clean the loading and outlet openings first, as well as the cutting elements of the product, before drying the stuck waste.

Washing with water (without pressure) is allowed.

Operating recommendations

Make sure that your mains voltage matches the rated voltage of the product.

Before using the product, check it for visible mechanical damage.

Connect the product to the network only when you are ready to use it.

Before the first use and after a long break turn on the product without load and let it work for 10-20 seconds. If you hear any noise, feel an increased vibration or smell of burning, turn off the product, disconnect the power cord from the mains and determine the cause of this problem. Do not turn on the product before the cause of the fault is found and corrected.

When using the product, place the cable outside the work area.

The product is intended for processing only plant waste.

It is FORBIDDEN to process other materials (plastic, metal), and to install other cutting disks (toothed, diamond, abrasive, etc.), disks with the sizes differing from the established; damaged disks with chips, broken or missing teeth, cracks, bent, blunted).

To avoid injury, never place your hands in the loading hole when operating the product.

DO NOT PUSH the loaded waste with your hands.

Process tree branches as quickly as possible after cutting, until they have hardened when drying. Processing of wet waste (leaves, grass, tops, etc.) should be postponed until they dry.

Specifications

Parameter	ZIE-40-2500	ZIE-44-2800
Supply voltage, V	220	220
Current frequency, Hz	50	50
Maximum power consumption, W	2500	2800
Power consumption with PVC WIRE =100%, W	1600	2000
Frequency of idling rotation, rpm	4050	60
Max. cutting diameter*, mm:	40	44
Max. capacity, kg / h	100	150
Product operation mode (duration of inclusion, grounding wire)	S6(40%)	S6(40%)
Degree of protection	IP24	IP24
Reverse mode	no	yes
Overload protection	yes	yes
Waste collection container	yes	yes
Regulator of the processing degree	нет	yes
Sound pressure level (K=3 dB), dB	95.7	72.3
Sound power level (K=3 dB), dB	108.3	92.3
RMS vibration acceleration (K=1.5), m/s ²	—	—
Safety class according to GOST 12.2.007.0-81	II class	II class
Product weight / packed weight, kg	14 / 16	20 / 22
Service life, years	5	5

Contents of delivery

Shredder	1 pc.	1 pc.
Container	1 pc.	1 pc.
Pusher	1 pc.	1 pc.
Wheels with fasteners	1 kit	1 kit
Wrenches	2 pc.	2 pc.
Safety instructions	1 copy	1 copy
Instruction manual	1 copy	1 copy

* Nominal diameter corresponding to the maximum cutting capacity of the product.

⚠ ATTENTION

Check for damage to the product and accessories that may have occurred during transportation.

Purpose and scope

Garden shredder is designed for shredding waste of plant origin (branches, leaves, mown vegetation). Please read this operating manual carefully, including the section "operating Instructions" and the appendix "general safety instructions". The only way you will be able to learn how to handle the product correctly and avoid mistakes and dangerous situations. The product is designed for short-term work under moderate loads in areas with a moderate climate with a characteristic temperature of +1 to 40°C, relative humidity of no more than 80% and the absence of direct exposure to precipitation and excessive dustiness of the air. The product meets the requirements of technical regulations of the Customs Union:

TR CU 004/2011 "on safety of low-voltage equipment";

TR CU 010/2011 "on safety of machinery and equipment";

TR CU 020/2011 "electromagnetic compatibility of technical means".

This manual contains the most complete information and requirements necessary and sufficient for reliable, efficient and safe operation of the product. In connection with the continued improvement of the product, the manufacturer reserves the right to make minor changes to its design that are not reflected in this manual and do not affect the effective and safe operation of the product.

Instructions for use

The shredder is a gear sprocket driven by an electric motor. Rotating in close proximity to a fixed plate, the teeth of the sprocket grind plant waste falling into the gap between it and the plate.

Assembly

⚠ ATTENTION

Turn off and unplug the product before any assembly or configuration.

Assemble the product.

1) Frame assembly (Fig. 1)

- place the shredder upside down, then place the frame upside down
- install the axle, wheels, bushings, washers on the frame and tighten the mounting nuts according to the picture;
- while holding the axle, tighten the nuts **FIRMLY** with the supplied wrench;

2) Container installation:

For ZIE-44-2800:

- pull up the handle **11** and slide the container all the way inside the frame;
- pull down the handle **11** to lock the container.

For ZIE-40-2500:

- slide the container in until the latch snaps.

Note! For your safety, the product is equipped with an activation lock when the container is unfixed. In turn, the container will not lock until it is installed correctly.

Place the product on a flat, horizontal surface.

Preparation for work

For ZIE-44-2800:

Set the degree of waste recycling (Fig. 2)

⚠ ATTENTION

Before turning the product on for the first time, turn the knob **7** counterclockwise to set the maximum gap in the mechanism.

Depending on the type of waste to be shredded, set the required level of waste recycling using the knob **7**:

- counterclockwise rotation of the regulator (increases the gap between the plate and the

teeth) – pre cutting for further grinding;

- clockwise rotation of the regulator (reduces the gap between the plate and the teeth up to the contact) - cutting waste into parts;

⚠ ATTENTION

After reaching the contact of the sprocket with the plate (determined by a slight sound of friction), do not reduce the degree of grinding any more - this can lead to jamming of the sprocket and damage to the mechanism.

Before starting work:

- put on suitable clothing, long trousers and closed shoes. Do not work barefoot or in open shoes;
- prepare and put on personal protective equipment - face mask, face shield, glasses, headphones, gloves;
- remove children and animals from the work area at least 3 meters away;
- remove all items from the waste that could damage the working tool or be caught and thrown out from under the moving parts of the product (stones, nails, etc.);
- make sure that: the sprocket is not blocked, you have removed the key and other foreign objects from the rotating parts of the product.

Operating procedure

Connect the product to the mains by plugging the extension cord into the outlet of the product.

⚠ ATTENTION

To avoid injury and damage, as well as failure of the product, connect the product to the network only using extension cords designed for outdoor use.

⚠ ATTENTION

Before turning on the product, make sure that the cutting elements are not blocked by waste and (only for ZIE-44-2800) the plate does not touch the sprocket.

Set (only for ZIE-44-2800) switch **3** to the "I" position. Turn on the product by pressing the "1" button on switch **2**.

⚠ ATTENTION

Do not put recyclable waste in the loading hole until the product is put into operation and the engine is fully deployed.

Start feeding recyclable waste by alternating solid large-diameter branches with small easily recyclable waste.

Note! The maximum diameter of the processed branches is only possible for freshly cut branches. For dried wood, the maximum cutting capacity is reduced.

⚠ ATTENTION

When feeding small waste in any case, DO NOT push it with your hands. As a last resort, use a suitable stick.

⚠ ATTENTION

(only for ZIE-40-2500)

It is forbidden to grind short (3 – 5 cm) remains of non-crushed materials, because they can jam the cutting mechanism and lead to engine failure.

The operating mode of the product is an intermittent S6 with a 40% switching duration at maximum power. This means that, for example, a 10-minute cycle, the time of operation of the product is 4 minutes followed by a rest of 6 minutes. Long-term (continuous) operation mode S1 is possible when the power consumption is not more than specified in the technical specifications for grounded wire 100%.

Note! When working with the product, watch the engine speed. A 20% or more drop in rpm indicates an overload. In this case, it is necessary to reduce the waste feed force.

⚠ ATTENTION

If the shaft is blocked, turn off the product immediately. Do not turn it on until the cause of the blockage is resolved.

If the shaft is blocked due to a too thick or hard branch, to remove it, turn the product (only for ZIE-44-2800) to rotate in the opposite direction. To do this, be **SURE** to turn off the product first, then turn the switch **3** to the "I" position.

Note! In the "I" position of switch **3**, hold the "1" button of switch **2** all the time. When the switch released, the engine stops.