

Electric wall-grooving machine (Wall Chaser)

ZSH-P45-2100 PVTK

ZSH-P65-2600 PVSTK

Dear customer!

When purchasing a product:

- ▶ Require verification of its serviceability by trial activation, as well as completeness of its parts according to the delivery set;
- ▶ Make sure that the warranty card is properly issued and contains the product's serial number, date of sale, store stamp, and seller's signature.

Before you turn on the product for the first time, carefully read this instruction manual and strictly follow its requirements. This is the only way you can learn how to handle the product correctly and avoid mistakes and dangerous situations. Keep this manual for the entire service life of your product.

Remember! The product is a source of increased traumatic danger.

⚠ ATTENTION

CONTINUE READING THE MANUAL AND DO NOT START WORKING WITH THE PRODUCT UNTIL YOU HAVE READ THESE WARNINGS

Do not install a replacement disc made of other material than diamond (or cutting tools of other type than disc) on the product, do not install diamond disc that does not match the specifications of the product.

The product is **NOT** intended for wet cutting. **IN ANY CASE DO NOT** use water to wet the discs or working surfaces.

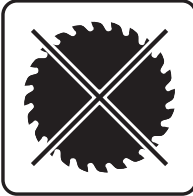



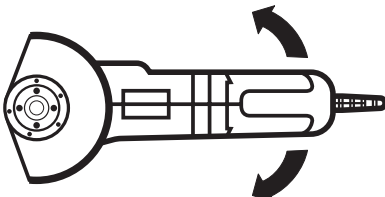



During operation, some parts of the product are heated up. Do not touch them at the end of the work until they have cooled down completely.

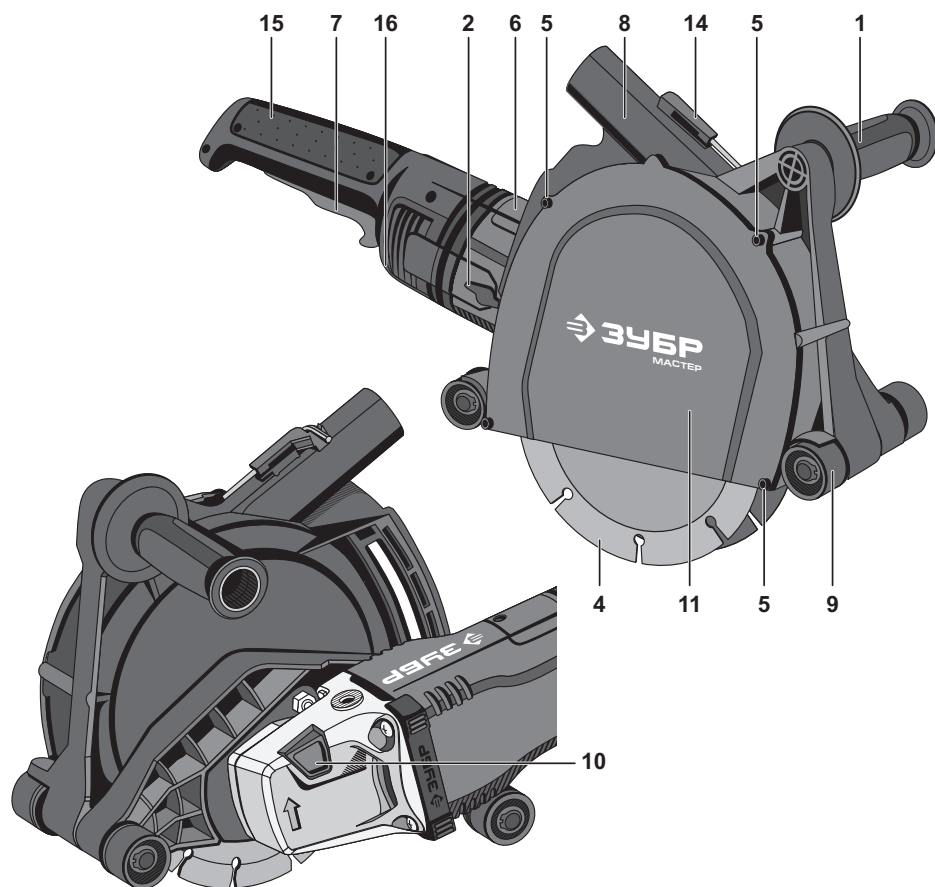
Do not brake or touch the disc by hand during its rotation or until it comes to a complete standstill after it has been switched off.

Always use the supplied additional handle when working. Working without the supplied additional handle is **NOT** permitted.

To prevent damage, do not overload the product during operation.

Security measures


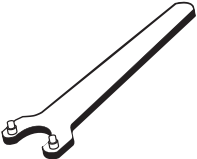
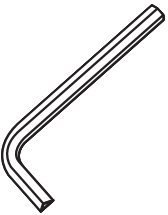
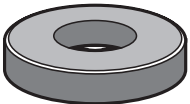
 <p>DO NOT install discs on the product other than the recommended ones (saw discs, sharpening discs; discs with incorrect outside or landing diameters; discs that do not match the rotation speed)</p>	 <p>DO NOT install any other accessories on the product than the supplied ones (covers, additional handles, etc.)</p>
 <p>Always wear personal protective equipment (mask, headgear, respirator), especially when working with dusty materials.</p>	 <p>Protect yourself from hot particles coming out from under the disc. Always correctly orient the cover to prevent hot particles from getting on you, clothing and flammable materials.</p>
 <p>The product with a spinning or stopping disc has an increased lateral torque. Do not let it out of your hands when starting or stopping the disc until the disc has stopped completely.</p>	 <p>The product is not intended for use with coolant supply to the chasing/grinding site.</p>
 <p>Do not press the disc lock button while the spindle is rotating and until the spindle stops completely.</p>	 <p>During operation, the replacement disc becomes very hot. Wait for it to cool down before replacing it at the end of operation.</p>



List of components

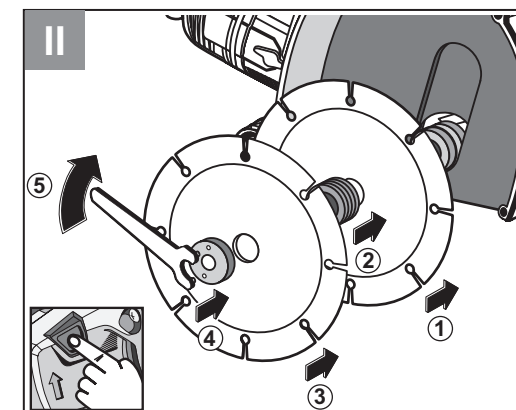
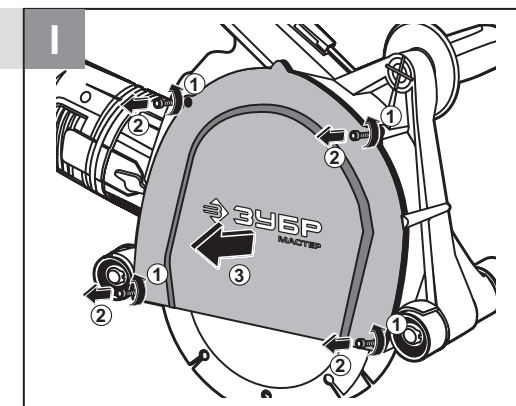
- | | |
|--------------------------------|-------------------------|
| 1. Additional handle | 9. Roller wheel |
| 2. Chasing depth limiter screw | 10. Spindle lock button |
| 3. Main handle turn lock | 11. Pressure flange |
| 4. Cutting disc | 12. Set washer |
| 5. Housing mounting screw(s) | 13. Imbus spanner |
| 6. Brush holder cover | 14. Main handle |
| 7. Switch key | |
| 8. Dustpipe outlet | |

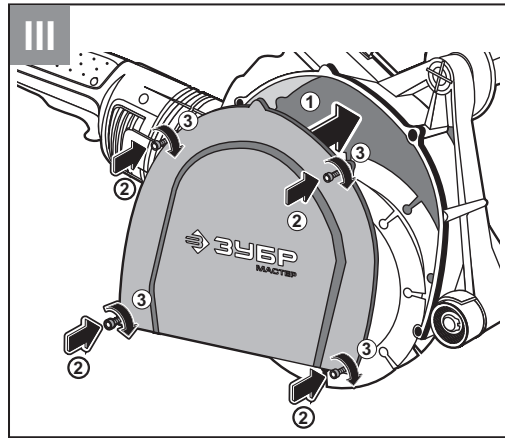
Package bundle

			
Additional handle	Special wrench	Imbus spanner	Flanges

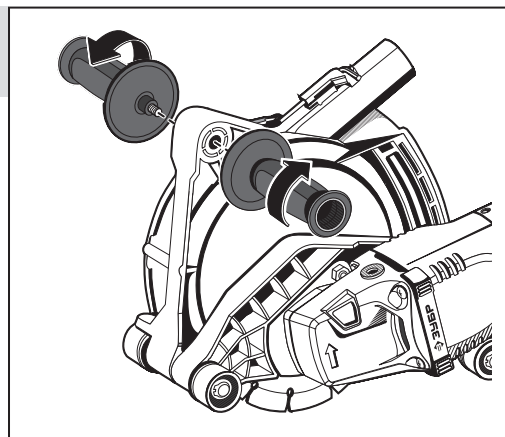
Instruction manual

1. Discs installation

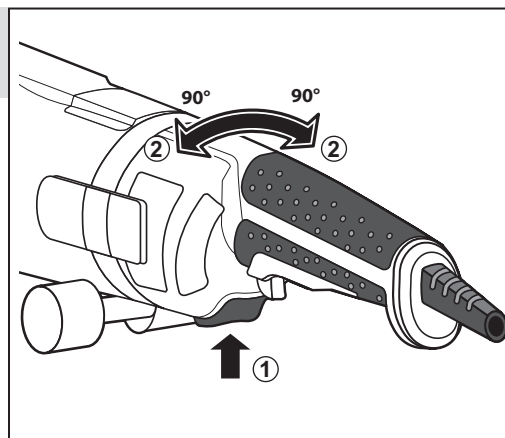




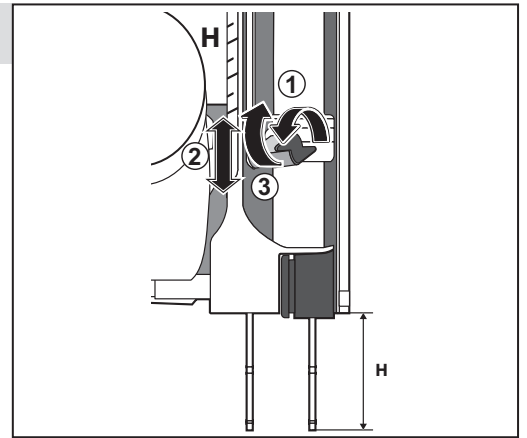
2. Installation of additional handle



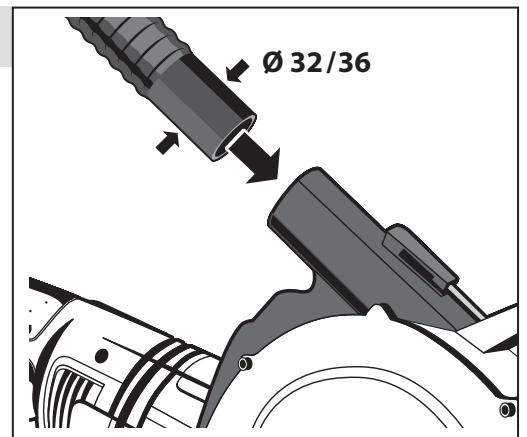
3. Adjustment of the main handle position



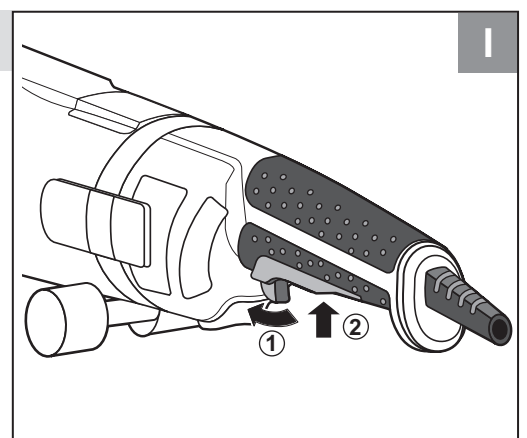
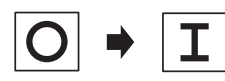
4. Adjustment of cutting depth

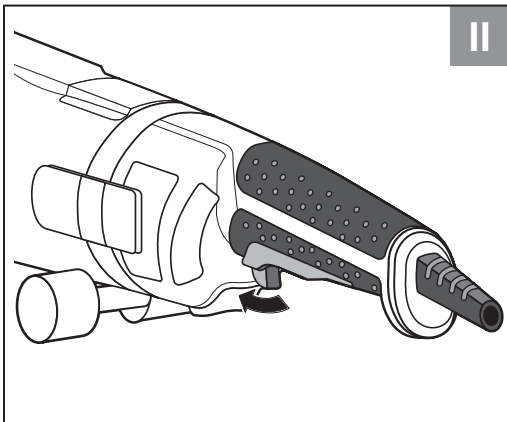


5. Dust removal organization

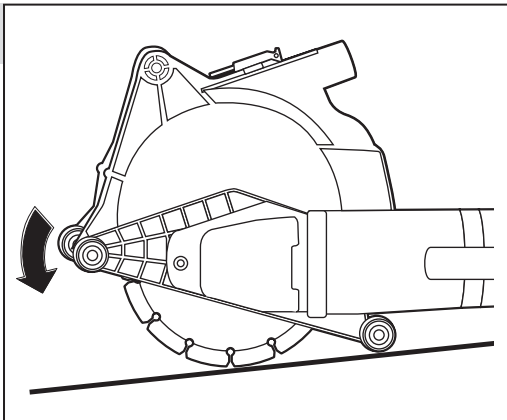


6. Turning the product on

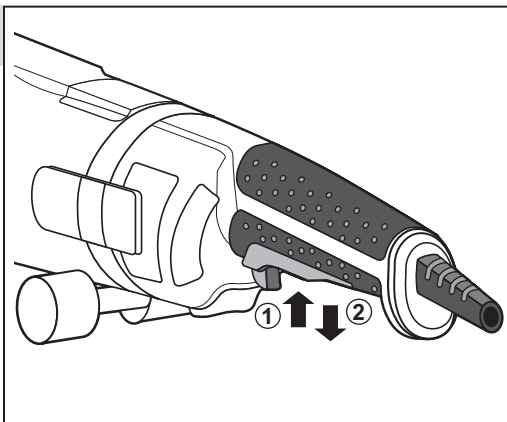




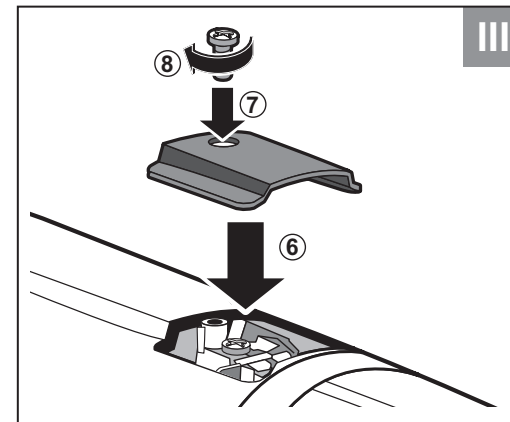
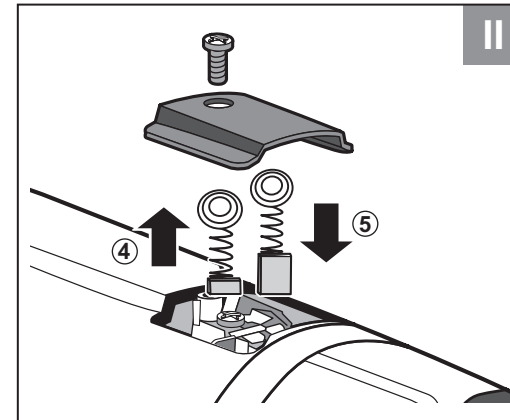
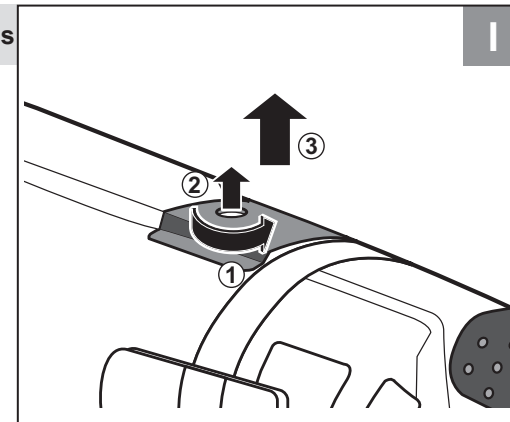
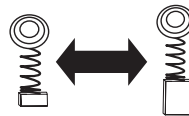
7. Working with the product



8. Turning the product off



9. Replacement of carbon brushes



Specifications

Parameter	ZSH-P45-2100 PVTK	ZSH-P65-2600 PVSTK
Supply voltage, V	~220±10%	~220±10%
Current frequency, Hz	50	50
Maximum power consumption, W	2100	2600
Frequency of idling rotation, rpm	8000	6000
Cutting disc diameter, mm	180	230
Landing disc diameter, mm	22.2	22.2
Wall chasing depth, mm	0–45	20–65
Groove width, mm	4.3–35	4.3–40
Wall chasing width setting step, mm	4.3	4.3
Soft start	yes	yes
Constant electronics	—	yes
Overload protection	—	yes
Dust protection	yes	yes
Sound power level (K=3 dB), dB	114	115
Sound pressure level (K=3 dB), dB	104	105
RMS vibration acceleration (K=1.5), m/s ²	3.8	3.8
Safety class according to GOST 12.2.007.0-81	II	II
Product weight, kg	8	10
Package weight, kg	11	14
Assigned service life, years	5	5
Assigned retention period, in *years	7	7

Contents of delivery

Wall chaser	1 pc.	1 pc.
Case	1 pc.	1 pc.
Imbus key	1 pc.	1 pc.
Pressure washer	2 pcs	2 pcs
Set washer	7 pcs	8 pcs
Tightening key	1 pc.	1 pc.
Additional Handle	1 pc.	1 pc.
Safety instruction	1 copy	1 copy
Instruction manual	1 copy	1 copy

* designated storage period (the period from the date of manufacture to the sale of the tool to the user)

⚠ ATTENTION

Check for damage to the product and accessories that may have occurred during transportation.

Purpose and scope

ZUBR electric wall chaser is intended for cutting of chases in concrete and brick surfaces.

Please read these operating instructions carefully, including the section "Safety Instructions" and Appendix "General Safety Instructions". This is the only way you can learn how to handle the tool correctly and avoid mistakes and dangerous situations.

The product is designed for use in temperate climates with temperatures ranging from -10 to +40°C, relative humidity not exceeding 80%, no direct exposure to rainfall and excessive dust.

The product meets the requirements of the Technical Regulations of the Customs Union:

- TR CU 010 / 2011 "On safety of machinery and equipment";
- TP CU 004 / 2011 "On safety of low-voltage equipment";
- TP CU 020 / 2011 "Electromagnetic compatibility of technical equipment".

This manual contains the most comprehensive information and requirements that are necessary and sufficient for reliable, efficient and safe operation of the product.

As a result of further development, the manufacturer reserves the right to make minor changes to the product which are not reflected in this manual and which do not affect the efficient and safe operation of the product.

The product may be used only by persons of the age of majority; having skills and/or knowledge of the principles of working and operating of the product; being in a sober state; not under the influence of medications causing sleepiness and / or reduced concentration; not having diseases causing similar conditions, as well as other contraindications for work with such tools.

All repair work shall be carried out only by qualified specialists of service centers, using original spare parts of ZUBR.

Preparation for work

⚠ ATTENTION

Disconnect the product from the mains and wait for the discs to stop rotating before performing any assembly/adjustment activities.

Installing the discs (Fig. 1)

To install the disc(s):

- remove the screws 5 from the protective cover 11. Remove the cover;
- by pressing the spindle lock button 10, use the supplied tightening key to unscrew the pressure flange 12;
- install the disc(s) with the required number of washers between them. The thickness of the set-up flange is 4.3 mm.

NOTE! The first disc can be installed on the lowest flange or between any two other flanges.

⚠ ATTENTION

The direction of the disc rotation (indicated on the disc itself) must coincide with the direction of the spindle rotation (indicated on the disc cover).

- reattach the pressure flange 12, press the lock button 10 and tighten the pressure flange FIRMLY with the tightening key;

⚠ ATTENTION

Always tighten the pressure flange FIRMLY to avoid injury or damage to the product.

- reattach the cover 11;
- tighten the cover mounting screws 5.

If you need to perform only one cut, remove the extra disc(s) in the order described above.

Installing an additional handle (Fig.2)

Install the additional handle 1 on the required side and tighten it firmly.

Adjusting position of the main handle (Fig.3)

The product is equipped with a rotating main handle 3 that provides a comfortable natural grip at any position of the product.

To change the position of the handle, press the button 3 and, without releasing it, turn the handle 15 around the longitudinal axis to the desired position (left/right in 90° increments). Release the button 3.

Adjusting the cutting depth (Fig.4)

To set the required depth, release the limiting screw 2 and adjust the angle of the product relative to its cover to set the desired cutting depth H. Fix the depth by tightening the screw 2.

Organization of dust removal (Fig.5)

Connect the vacuum cleaner hose to pipe 8. The diameter of the connecting pipe must be 36 mm.

Get ready for work:

- make sure that the discs are properly installed, securely fastened, and that you have removed any foreign objects from the moving parts of the product;
- mark the lines of the future cut on the required surface;
- prepare (if necessary) a dust removal device (such as a vacuum cleaner);
- wear personal protective equipment: glasses, headgear, and a respirator.

Operating procedure

Turning on the product (Fig.6)

Connect the product to the electrical network.

⚠ ATTENTION

Before connecting the product to the mains, MAKE SURE that the switch is in the off position.

Turn on the product by sliding the switch tab forward and pressing the 7 key.

NOTE! Because of the soft start system, the spindle of the product is unwound gradually. Wait for the full cranking of the discs.

The product is locking the switch in the on position. To lock the switch, slide the 7 key forward and press the front part of the key until it locks.

Operating the product (Fig.7)

Install the product (at the beginning of the cut line) with the roller 9 on the surface to be processed so that the discs do not touch the surface. Gently tilt the product, digging the discs into the surface to the desired cutting depth or to the stop of the limiter.

Start to smoothly guide the product along the cutting line towards you.

⚠ ATTENTION

The product is not intended for wet cutting. IN ANY CASE DO NOT use water to wet the discs or surfaces.

NOTE! When working with the product, keep an eye on the engine speed. A 20% or more drop in rpm indicates an overload. In this case, it is necessary to reduce the load or feed force of the product.

The product is equipped with an overload protection system. During operation, if an overload occurs (for example, when the discs are jammed), the product reduces the speed. In this case, **IMMEDIATELY** eliminate the cause of the overload (change the way you work, reduce the pressure on the product).

⚠ ATTENTION

After removing the cause of the jam, when the 7 key is turned on, the engine will start automatically.

⚠ ATTENTION

If the discs are jammed, turn off the product with the switch and disconnect it from the mains. Then remove the jammed disks. Do not attempt to remove jammed discs by turning on the product.

Turning off the product (Fig.8)

When you finished working, turn off the product by releasing the switch key 7. After turning off the product, the discs continue to rotate for a while. Do not place the product on the support surface, wait for the discs to stop completely.

⚠ ATTENTION

When working, the discs became very hot - do not touch them immediately after you finish working and until they cool down completely.

Periodical maintenance

⚠ ATTENTION

Periodic maintenance should be performed when the cable is disconnected from the mains.

Replacing carbon brushes (Fig.9)

During operation, the graphite brushes of the electric motor must be replaced periodically (as they wear out). To replace the brushes:

- disconnect the product from the mains;
- use a screwdriver to Unscrew the brush holder cover 6 and remove it;
- remove the worn brush and insert a new one;
- install the cover of the brush holder in place;
- perform similar operations with another brush.

When cutting concrete, abrasive and conductive particles may accumulate inside the product body. To prevent damage to the product and electric shock, periodically (if possible, often) carefully blow the product body through the air intake holes (in the back of the case). For purging, use the vacuum cleaner's output stream or a compressed air source (for example, a compressor) with an output flow pressure of no more than 2 atm.

Operating recommendations

Make sure that your mains voltage matches the product's rated voltage.

Only connect the product to the mains when you are ready to use it.

Before using the product for the first time, turn it on without any load and let it run for 10 to 20 seconds. If at this time you hear extraneous noise, feel an increased vibration or smell of burning, turn off the product, disconnect the power cord from the mains and determine the cause of this phenomenon. Do not turn on the product before the cause of the problem is found and resolved.

Before cutting concrete, make sure that there are no hidden wiring or pipes in the cut areas. To avoid accidents, make sure that switch 7 is in the off position every time you switch the product on.

Regularly (before each use) check the condition of the discs and the reliability of their attachment. Blunted, cracked, chipped, or loose discs can cause injuries and malfunction of the product. The product is intended for use with diamond discs for cutting concrete.

⚠ ATTENTION

DO NOT INSTALL other discs (abrasive, flap, saw, polishing, etc.) on the product. Do not use discs that do not meet the specifications of this product (in particular, in diameter or speed). Do not use a tool that is severely worn or has visible mechanical damage (chips, cracks, delaminations).

Use personal protective equipment (glasses, respirator) - during the cutting process, concrete dust is released in large quantities.

When using the product, place the mains cable outside the work area.

The working product (in contact with the surface) transmits force to the operator along the longitudinal axis of the product in the direction from the operator. When working, hold the product firmly with both hands. Take a steady body position and always keep your balance.

Do not use excessive force when working with the product. This will not speed up the work process, but it may reduce the quality and service life of the product.

To avoid overheating, take enough breaks to cool down the product.

Do not cover the air intake openings of the product.

In case of "sticking" of the disc, in order to avoid damage to the product, **DO NOT USE** force methods to turn away the pressure flange. Contact the service center.

Check the status of the mains cable regularly. Do not allow insulation damage, contamination with aggressive and conductive substances, excessive pulling and bending loads.

⚠ ATTENTION

The damaged cable must be replaced immediately at the service center.

Turn off the product from the mains as soon as it is finished.

Turn off the product only with switch 7. Do not turn it off by simply unplugging the cable from the mains (removing the plug from the outlet).

Maintenance

Periodically clean the product body, cable, and air vents from dirt and dust.

Replace the graphite brushes of the motor periodically (as they wear out) in accordance with the section "periodic maintenance".

The product does not require any other special maintenance.

All other work, including repairs, must be carried out only by qualified service center specialists, using original ZUBR spare parts.

Make sure that the product is always in good condition.

In case of suspicious odors, smoke, fire, sparks, turn off the product, disconnect it from the mains and contact a specialized service center.

If the product appears to be defective, stop using it immediately.

Due to the technical complexity of the product, the limit state criteria cannot be determined by the user independently. If there is an obvious or suspected problem, refer to the section "Troubleshooting". If the problem is not listed or you are unable to fix it, contact a specialized service center. The service center issues an opinion on the limit state of the product or its parts in the form of a corresponding Act.

Safety Instructions

Before any Assembly/adjustment actions, disconnect the product from the mains and wait for the discs to stop rotating.

Before starting work, inspect and visually check the product, cable, and cutting discs for visible mechanical damage.

The product is not intended for wet cutting. **IN ANY CASE DO NOT** use water to wet the discs or surfaces.

Do not install any replacement tools on the product other than diamond discs (including other types of discs), or those that do not match the characteristics of this product.

Always use the supplied additional handle when performing work. Operation without an additional handle is **PROHIBITED**.

Before connecting the product to the network, **MAKE SURE** that the switch is in the off position.

Before cutting concrete, make sure that there are no hidden wiring or pipes in the cut areas.

When working, the disks get very hot - do not touch them immediately after they stop and until they cool down completely.

Do not cover the air intake openings of the product.

Do not touch the moving parts of the product (under the covers).

Use only serviceable cutting discs.

IN ANY CASE, DO NOT use discs with visible mechanical damage.

After turning off the product, the discs continue to rotate for a while. Do not put the product down, wait for the discs to stop completely.

When working in conditions such as dust, vibration, or high noise levels, use personal protective equipment and limit the total (per shift) time spent working with the product.

Basic warranty

The warranty period is 6 months from the date of sale.

Warranty obligations

We constantly care about improving the quality of service to our customers, so if you have any complaints about the quality and timing of warranty repairs, please report it to the 3Y6P support service by e-mail cs@kraftool.hk. This warranty does not limit the buyer's right to claims arising from the contract of sale, and does not limit the legal rights of consumers.

We provide a guarantee for 3Y6P tools under the following conditions:

- 1) The Warranty is provided in accordance with the following conditions by free troubleshooting of the tool during the established warranty period, which is proved to be caused by defects in material or workmanship.
- 2) The Warranty period begins from the date of purchase of the instrument by the first owner.
- 3) The warranty Period and conditions depend on the series and article of the instrument, please read the warranty terms carefully at the time of purchase.

4) The Warranty does not apply to:

a) Parts subject to working and other types of natural wear, as well as tool failures caused by these types of wear. And also on the tool having full development of a resource, strong external or internal pollution.

b) Malfunctions of the tool caused by non-compliance with the operating Instructions or occurred as a result of the use of the tool for other purposes, during use in environmental conditions beyond those specified in the operating Instructions, improper production conditions, due to overload or insufficient, improper maintenance or care. The unconditional signs of overload of the product include, among others: the appearance of colors of fatigue, simultaneous failure of the rotor and stator, deformation or melting of parts and components of the product, darkening or charring of the motor wires under the influence of high temperature.

c) When using the product in conditions of high intensity of work and superheavy loads.

d) On preventive and maintenance of the tool, for example: lubrication, washing.

e) Tool Malfunctions due to the use of accessories, accessories and spare parts that are not original accessories/parts of 3Y6P company.

e) Mechanical damage (cracks, chips, etc.) and damage caused by aggressive media, high humidity and high temperatures, ingress of foreign objects into the vents of the tool, as well as damage caused by improper storage and corrosion of metal parts.

g) Accessories, wear parts and consumables that have failed due to normal wear, such as: drive belts, battery packs, barrels, guide rollers, protective covers, collars, cartridges, soles, saw chains, saw tires, sprockets, tires, carbon brushes, knives, saws, abrasives, drills, drills, fishing line for the trimmer, etc.

h) A tool in the design of which changes or additions have been made.

l) A Slight deviation from the declared properties of the tool, which does not affect its value and the possibility of using it for its intended purpose.

j) Warranty does not cover a tool that was opened or repaired during the warranty period outside of authorized service centers.

5) Troubleshooting, recognized by us as a warranty case, is carried out at the choice of the KRAFTOOL company by repairing or replacing the faulty tool with a new one (possibly the next generation model). Replaced tools and parts become the property of the company.

6) Warranty claims are accepted within the warranty period. To do this, present or send the faulty tool to the service center specified in documentation (see the current list of service centers on the website kraftool.hk), attaching a completed warranty card confirming the date of purchase of the product and its name. A tool delivered to the dealer or service center in a partially or completely disassembled form is not covered by the warranty. The owner of the instrument bears all risks of transferring and forwarding the instrument to the dealer or service center.

7) Claims, other than the mentioned right to free repair of defects in the tool, are not covered by our warranty.

8) After the warranty repair under the extended warranty, the extended warranty period of the tool is not extended or renewed.

9) Regular maintenance is required for all power tools. The frequency of maintenance is equal to the service life of a set of carbon brushes.

10) The service life of the product is 5 years.

POSSIBLE MALFUNCTIONS AND TROUBLESHOOTING

Malfunction	Possible reason	Troubleshooting
The product does not turn on	No mains voltage	Check the mains voltage
	Total brush wear	Replace the brushes
	The switch, motor, or other component is faulty	Contact the service center for repair or replacement
	Jamming of the disc or shaft	Contact the service center for repair or replacement
The product is turned on, but the disks do not rotate	Pressure flange not tightened	Tighten the flange
	Damage to the gear unit (cutting off pins or gear teeth)	Contact the service center for repairs
The product does not develop full speed or does not work at full capacity (determined by a strong drop in speed during operation)	Low mains voltage	Check the mains voltage
	Total brush wear	Replace the brushes
	Cutting discs blunted	Replace the discs
	Burned winding or breakage in motor winding	Contact the service center for repairs
	Malfunction of the electronic unit	Contact the service center for repairs
The spindle or disks stopped during working	No mains voltage	Check the mains voltage
	Overload protection triggered	
	Jammed discs in the material (blunted discs, too high feed speed)	Replace the discs, reduce the feed rate
	Rotating discs (if the flange is not fully tightened, or if the grease gets under the flanges)	Tighten the flange and clean the contact surfaces
	Total brush wear	Replace the brushes
	Malfunction of the electronic unit or engine	Contact the service center for repairs
The product overheats	Gearbox jamming	Contact the service center for repairs
	Intensive work mode, work with maximum load	Change the operating mode, reduce the load
	High ambient temperature, poor ventilation, clogged air vents	Take measures to reduce the temperature, improve ventilation, and clean the air vents
	Lack of lubrication, damage to the gearbox	Contact the service center for repairs
	Burned winding or breakage in the winding	Contact the service center for repairs